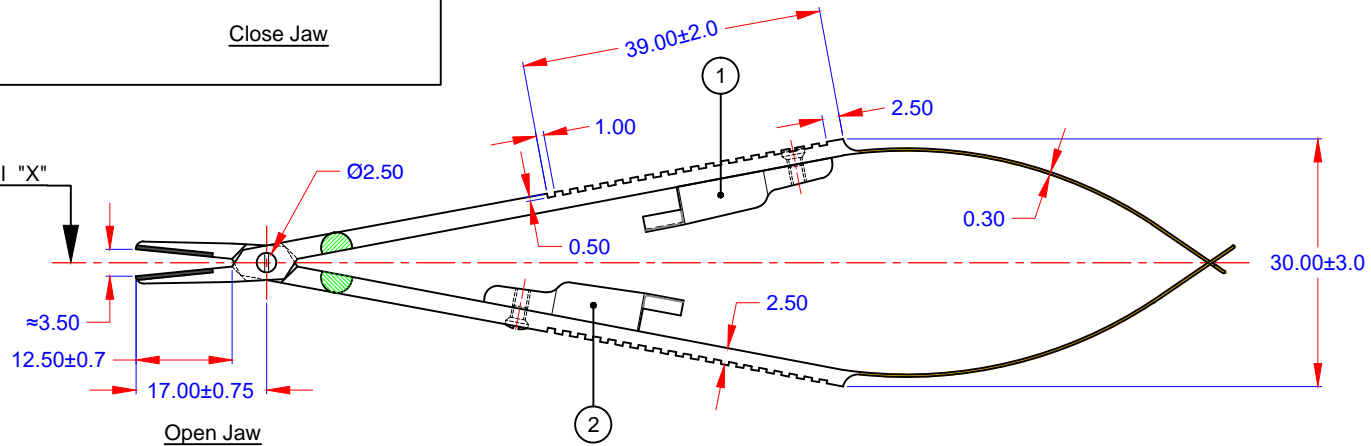


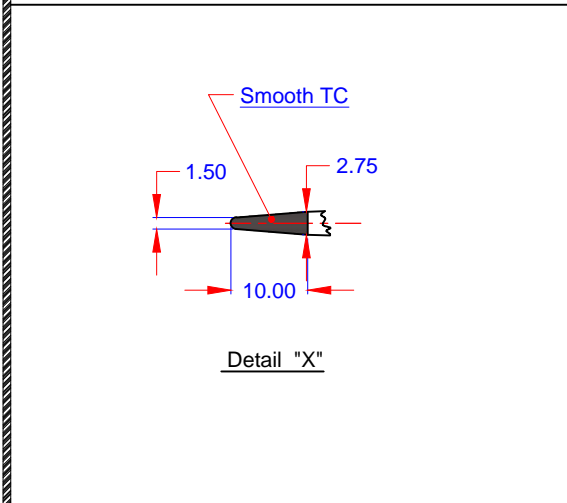
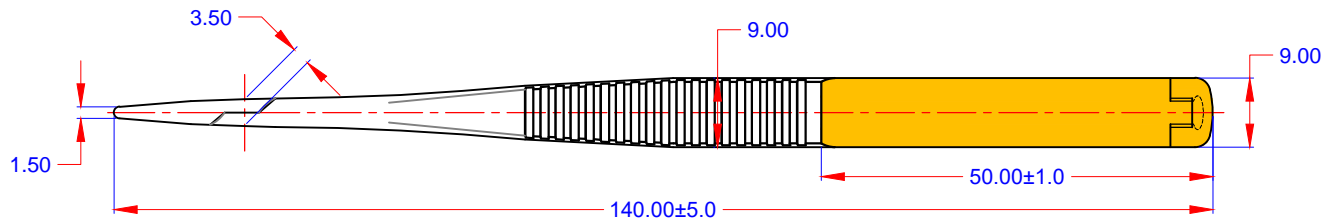
Detail "A"-"A"

Close Jaw

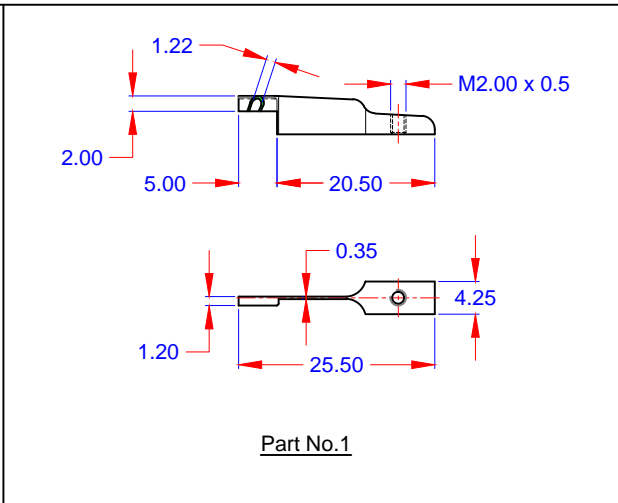
See Detail "X"



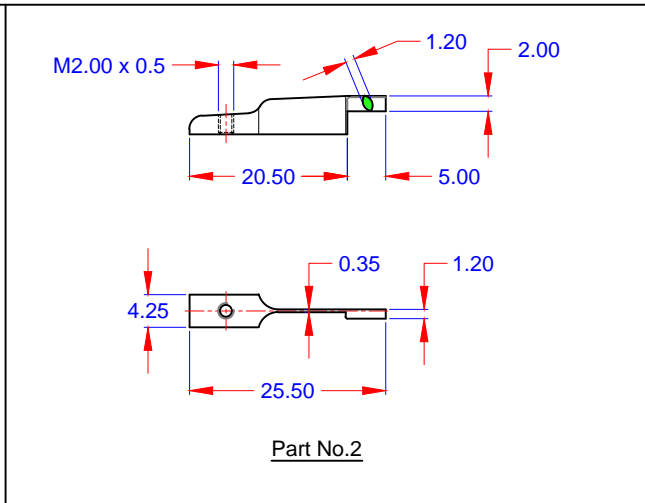
Open Jaw



Detail "X"



Part No.1



Part No.2

Reference No. 00	Drawing No. TX-0014	Rev: 00	Sheet No. 1 of 1
Title: Castroviejo Micro Needle Holder			Size: 14cm
Generic Function:			Type: Straight
Finish: Satin		Configuration No:	
CE/FDA Classification		Risk Analysis No: --	
Process Flow Chart (PFC) No:		Insert Card No.(instruction for use)	
<b>Standards For Materials</b>			
1.	2.	3.	4.
Parts Name/No.	Material Type	Hardness Range Scale	Sample No. Specification / Drawing No. Inspection Instructions No.
1	AISI --	-- --	
2			
3			
4			
5			
6			
7			
8			
Production Stage	Drawing No.	Sample No.	Inspection Instructions No.
Filed			
Finished			
<b>Notes:</b> 1: Unless otherwise specified, all dimensions are in millimeters.			
<b>Revision History</b>			
Rev.	Description of change	Date	
Drawn By: T-Xavier	Date: 17-05-2019	<input type="checkbox"/> Component <input type="checkbox"/> Filed Product <input checked="" type="checkbox"/> Finished Product <input type="checkbox"/> Pre-Production Run <input checked="" type="checkbox"/> Routine Production	
Approved: (Chief Executive)	Date:		
Approved: (Production Director)	Date:		
Approved: (QA Manager)	Date:		
		